

**SONY**

Hi-Fi Products  
**Service Bulletin**

Sony Service Company - Technical Services  
A Division of Sony Corporation of America  
Sony Drive, Park Ridge, New Jersey 07656

**Model:** RM-P700E/P700A

**No. 190R1**

**Subject:** Upper Lid Assembly

**Date:** September 17, 1992

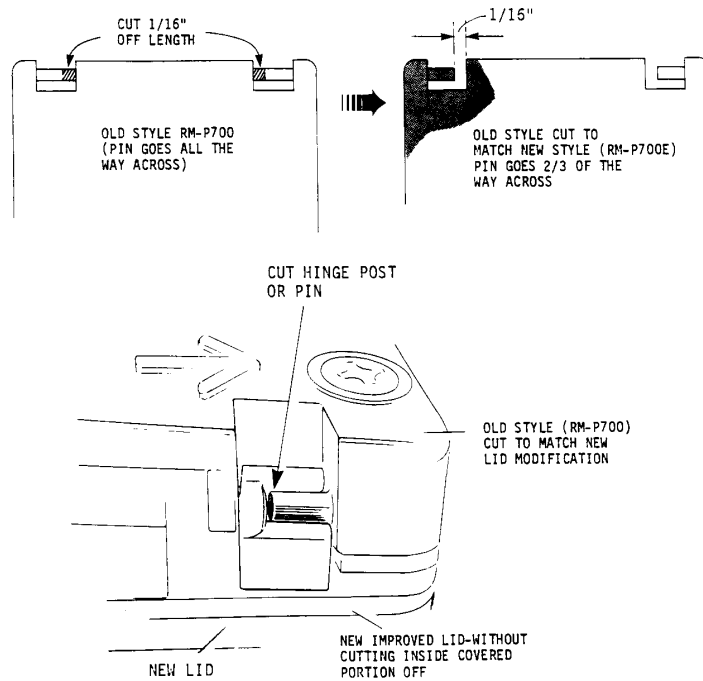
This bulletin supersedes Hi-Fi Products Service Bulletin No.190

**Symptom:**  
(\*\*)

The replacement lid assembly has plastic molded over one end of the hinge.

**Solution:**

Using a fine-tooth hacksaw blade or a fine thin file, cut away 1/16 of an inch from the inside of each of the hinge posts on the RM-P700 remote (see drawing below). The improved lid assembly should now fit the modified RM-P700 remote.



Miscellaneous  
CSA-13

Reference: FPR M0891

PRINTED IN U.S.A.  
CSA-13892-6